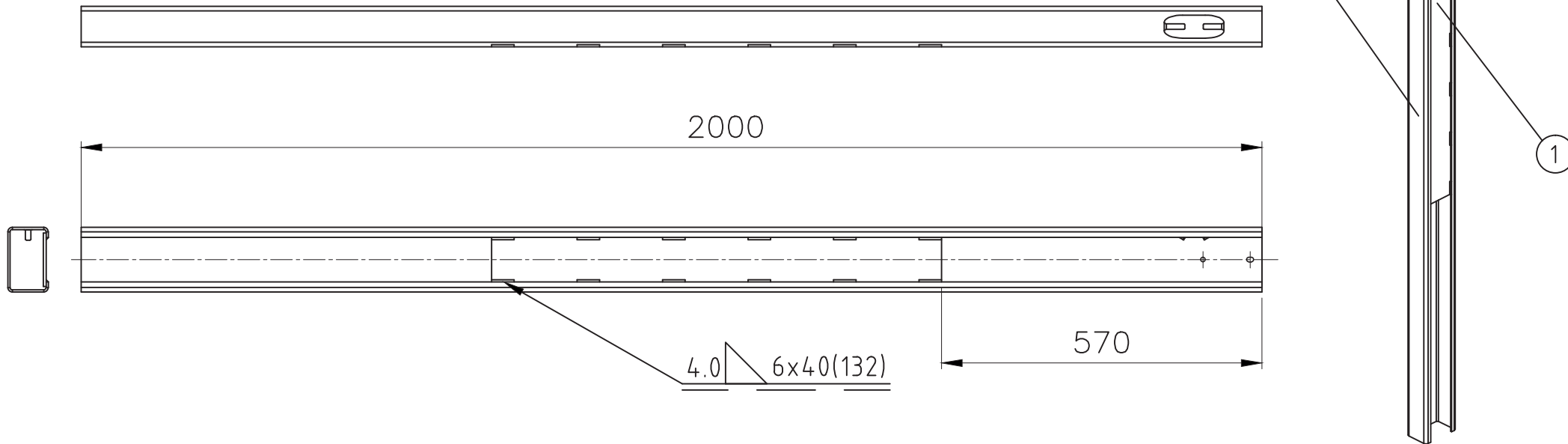



INDEX	PART/DRAWING	DESCRIPTION	QTY
1	BP178	SENTRY TL-4 POST PLATE	1
2	P130F	SENTRY TL-4 POST FORMED	1



				 <p>ACP AUSTRALIAN CONSTRUCTION PRODUCTS</p> <p>Australian Construction Products Pty Ltd 339 Horsley Road Milperra NSW 2214 P.O. Box 565 Panania NSW 2213 Tel: +61 2 9772 4172 Fax: +61 2 9792 6272</p>		TOLERANCES		CLIENT		ITEM SENTRY BARRIER TL-4 POST	
						Whole Numbers ± 2				2000mm LONG	
				One Decimal Place ± 0.05		MATERIAL		DRAWING NUMBER			
				Bend Angle : ± 2		4.0mm BMT HA300 TO AS/NZS 1594		P130G			
				Straightness : 1.5per1500		5.0mm HA250 TO AS 3678					
				Scale: N.T.S.		FINISH		DRAWN			
						PRETREATMENT TO AS 1627		E.A.			
						HOT DIP GALVANISE TO AS/NZS 4680		CHECKED			
								APPROVED			
A	ORIGINAL ISSUE	E.A.	3.02.20								
REV.	DESCRIPTION	APPD	DATE								