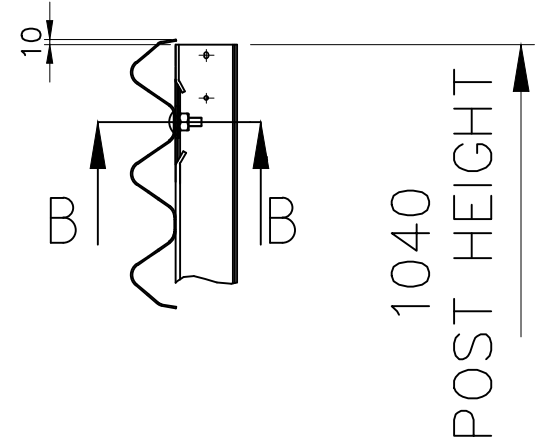
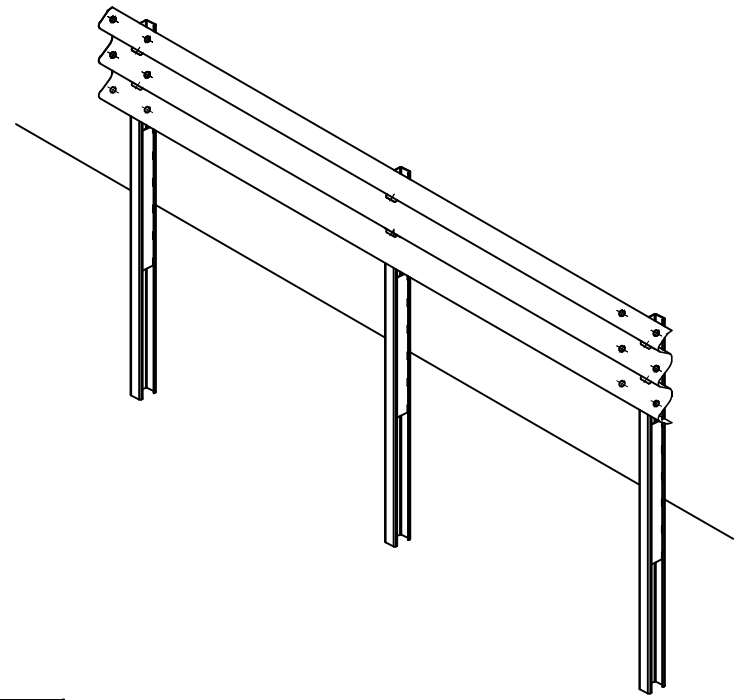
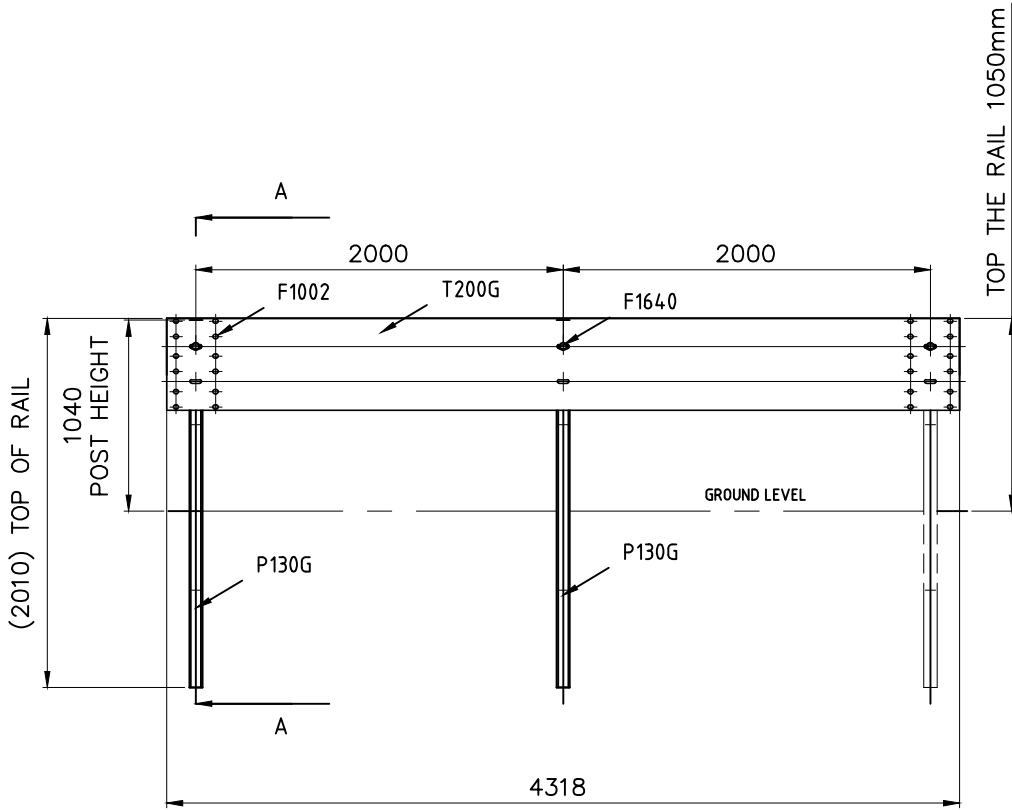
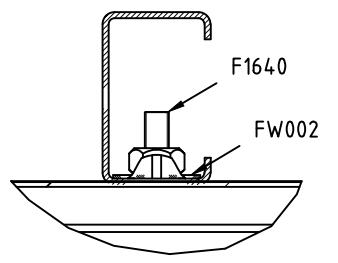


PART/DRAWING	DESCRIPTION	QTY
P130G	ACP SENTRY BARRIER TL-4 POST 2000mm LONG	2
FW002	ACP SENTRY THRIE BEAM WASHER	2
F1002	M16x32 SPLICE BOLT AND NUT FOR RAIL CONNECTION	12
F1640	M16x40 POST BOLT AND OVERSIZED NUT	2
T200G	4.0M STANDARD THRIE-BEAM	1



SECTION A-A



SECTION B-B

REV	DESCRIPTION	APPD	DATE
B	DRAWING NUMBER UPDATED	W.R.	26.05.20
A	ORIGINAL ISSUE	E.A.	4.02.20



ACP
 AUSTRALIAN CONSTRUCTION PRODUCTS
 Australian Construction Products Pty Ltd
 339 Horsley Road Milperra NSW 2214
 P.O. Box 565 Panania NSW 2213
 Tel: +61 2 9772 4172 Fax: +61 2 9792 6272

TOLERANCES

Whole Numbers ± 2

One Decimal Place ± 0.05

Bend Angle : ± 2

Straightness : $1.5 \text{ per } 1500$

Scale: **N.T.S.**

CLIENT

MATERIAL
STEEL TO AS/NZS 1594

FINISH
PRETREATMENT TO AS 1627
HOT DIP GALVANISE TO AS/NZS 4680

ITEM
ACP SENTRY BARRIER TL-4
THRIE BEAM SYSTEM

DRAWING NUMBER
GA096

DRAWN E.A.	CHECKED	APPROVED
----------------------	----------------	-----------------