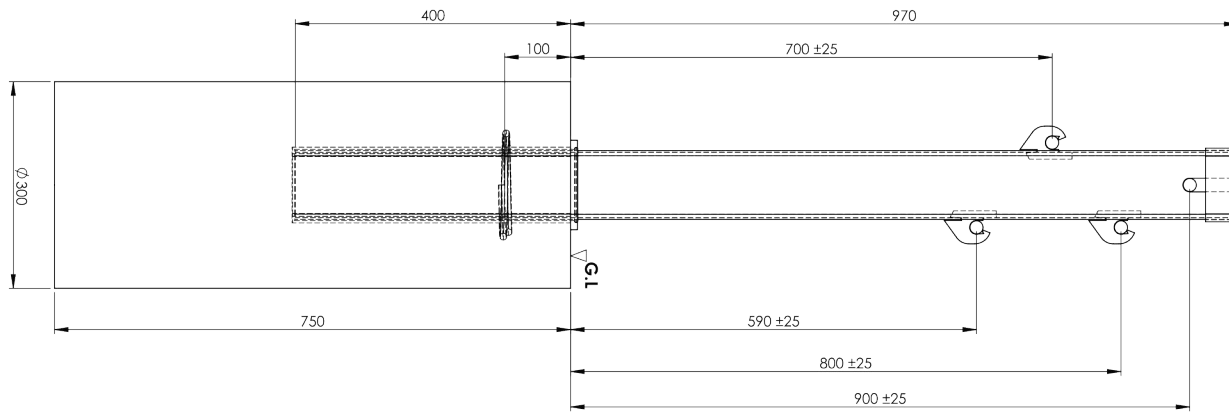
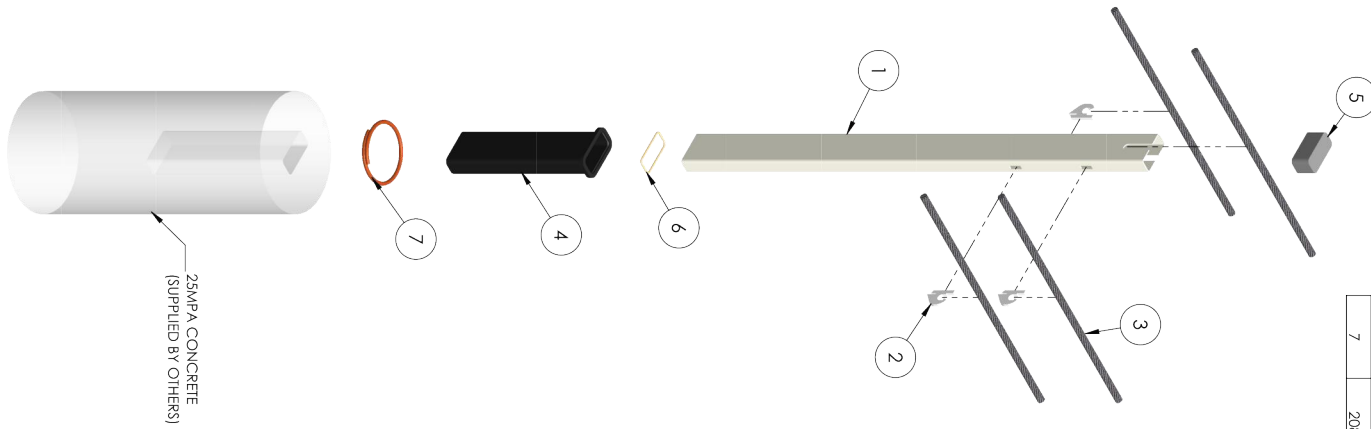


ISO EXPLODED VIEW  
SCALE 1:10



ITEM NO.	PART NO.	DESCRIPTION	QTY.	WEIGHT EA.	DMG NO.
1	208313SLM	SL WIRE ROPE LINEPOST 1370mm WHITE - 3 SLOTS	1	7	FX747-1
2	2110162SLM	SL WIRE ROPE HALF TIE 8mm ALUMINIUM	3	0.04	FX747-2
3	22000365SLM	SL WIRE ROPE 19mm DIA.	AS REQUIRED		
4	2083070SLM	SL WIRE ROPE POST SOCKET	1	0.37	FX747-4
5	2083072SLM	SL WIRE ROPE LINEPOST CAP	1	0.07	FX747-3
6	2083073SLM	SL WIRE ROPE LINEPOST O-RING 8mm	1	0.01	FX747-5
7	2083086	SL WIRE ROPE REBAR RING SMOOTH	1	0.34	



Australian Construction Products Pty Ltd  
339 Horsley Road Milperra NSW 2214  
P.O. Box 565 Panania NSW 2213  
Tel: +61 2 9772 4172 Fax: +61 2 9792 6272

TOLERANCES  
Whole Numbers  $\pm 2$   
One Decimal Place  $\pm 0.05$   
Bend Angle :  $\pm 2$   
Straightness : 1.5per1500  
Scale: N.T.S.

CLIENT  
MATERIAL  
STEEL TO AS/NZS 1594  
FINISH  
PRETREATMENT TO AS 1627  
HOT DIP GALVANISE TO AS/NZS 4680

ITEM SENTRYLINE-M WIRE ROPE STANDARD  
ASSEMBLY WHITE-3 SLOTS  
DRAWING NUMBER  
**FX747**  
DRAWN E.A. CHECKED APPROVED

REV	DESCRIPTION	APPD	DATE
A	ORIGINAL ISSUE	EA	11.06.20