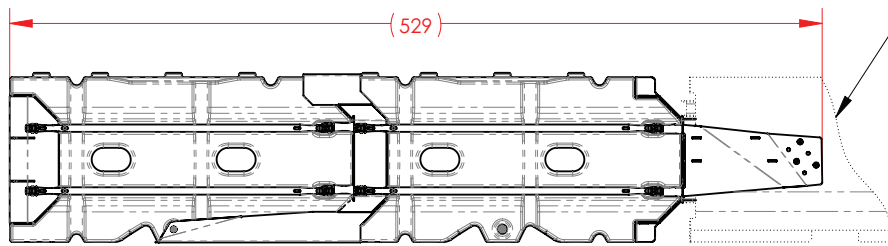
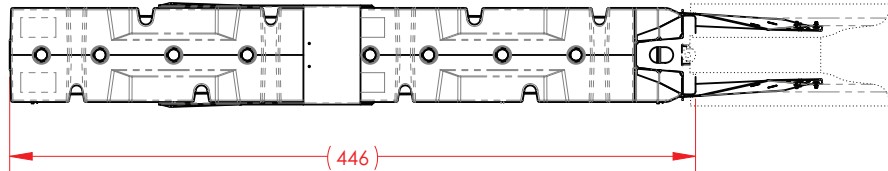
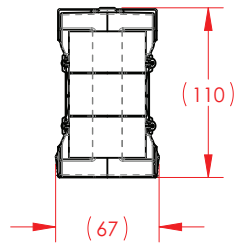


NOTES: UNLESS OTHERWISE SPECIFIED.

1. DIMENSIONS SHOWN ARE REFERENCE.
2. DIMENSIONS ARE IN cm.
3. USE MINIMUM OF 3 ANCHORS PER TRANSITION STRAP. UTILIZE HIGHEST AND LOWEST BOLT HOLE WHERE PRACTICAL.

ITEM	PART NO.	DESCRIPTION	QTY.
1	BSI-1808014-00	NOSE PLATE, ABSORB-M	1
2	BSI-1808006-00	ELEMENT ASSEMBLY, ABSORB-M	2
3	BSI-1808005-00	PIN ASSEMBLY, ABSORB-M	8
4	BSI-1809035-00	MIDNOSE, GALVANIZED, ABSORB-M	1
5	BSI-1809036-00	TRANSITION, GALVNIZED	1
6	BSI-1809037-00	TRANSITION STRAP LH, GALVANIZED, ABSORB-M	1
7	BSI-1809038-00	TRANSITION STRAP RH, GALVANIZING, ABSORB-M	1
8	BSI-2002001	Anc Mech 5/8-11x6 Gal	6



11/12/2020	(A)	60080	NDP	TJH
REV DATE	REVISION	ECN	BY	APP

THE INFORMATION CONTAINED IN THIS DOCUMENT IS LINDSAY PROPRIETARY INFORMATION AND SHALL NOT BE REPRODUCED OR USED FOR ANY PURPOSE NOR DISCLOSED TO THIRD PARTIES WITHOUT THE WRITTEN APPROVAL OF LINDSAY.

WATERMARK Released		PART NUMBER BSI-2011011-AP	SHEET 1 OF 2
DO NOT SCALE DRAWING UNLESS OTHERWISE SPECIFIED DIMENSIONS ARE IN mm		METRIC	DESCRIPTION ABSORB-M TWO ELEMENT SYSTEM, UP TO 60km/h (AUSTRALIA)
TOLERANCE: X = ±2 X.X = ±1.0 X.XX = ±0.25 X.X* = ±2° REMOVE ALL BURRS AND SHARP CORNERS		THIRD ANGLE PROJECTION	MATERIAL
QR CODE	SCALE 1:32	REV: A	FINISH

8 7 6 5 4 3 2 1

D

D

C

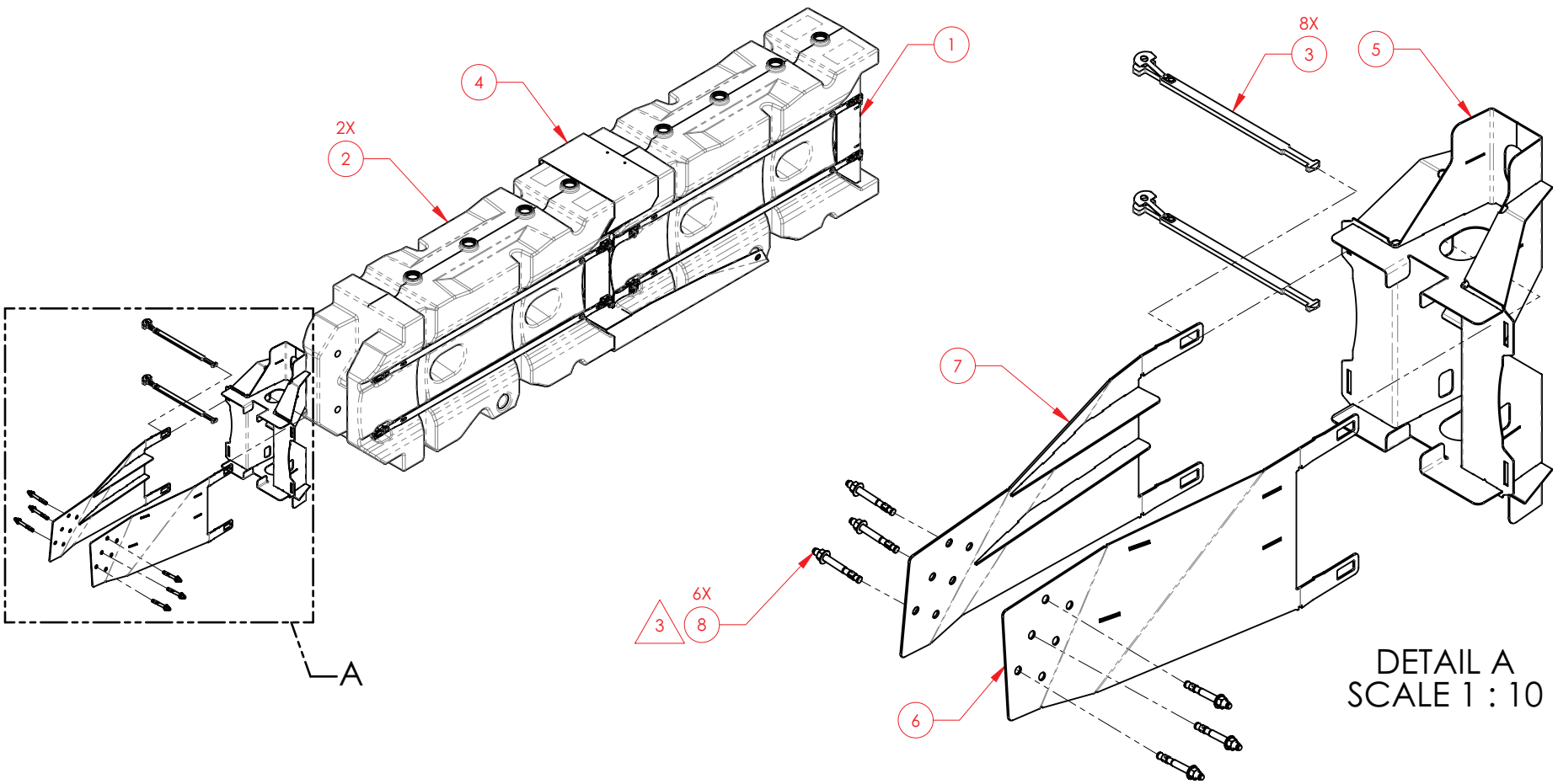
C

B

B

A

A



DETAIL A
SCALE 1:10

11/12/2020	(A)	60080	NDP	TJH
REV DATE	REVISION	ECN	BY	APP
THE INFORMATION CONTAINED IN THIS DOCUMENT IS LINDSAY PROPRIETARY INFORMATION AND SHALL NOT BE REPRODUCED OR USED FOR ANY PURPOSE NOR DISCLOSED TO THIRD PARTIES WITHOUT THE WRITTEN APPROVAL OF LINDSAY.				



WATERMARK Released		PART NUMBER BSI-2011011-AP	SHEET 2 OF 2
DO NOT SCALE DRAWING UNLESS OTHERWISE SPECIFIED DIMENSIONS ARE IN mm		METRIC THIRD ANGLE PROJECTION	DESCRIPTION ABSORB-M TWO ELEMENT SYSTEM, UP TO 60km/h (AUSTRALIA)
TOLERANCE: X = ±2 X.X = ±1.0 X.XX = ±0.25 X.X* = ±2* REMOVE ALL BURRS AND SHARP CORNERS			MATERIAL -
QR CODE	SCALE 1:25	REV: A	FINISH -

8 7 6 5 4 3 2 1