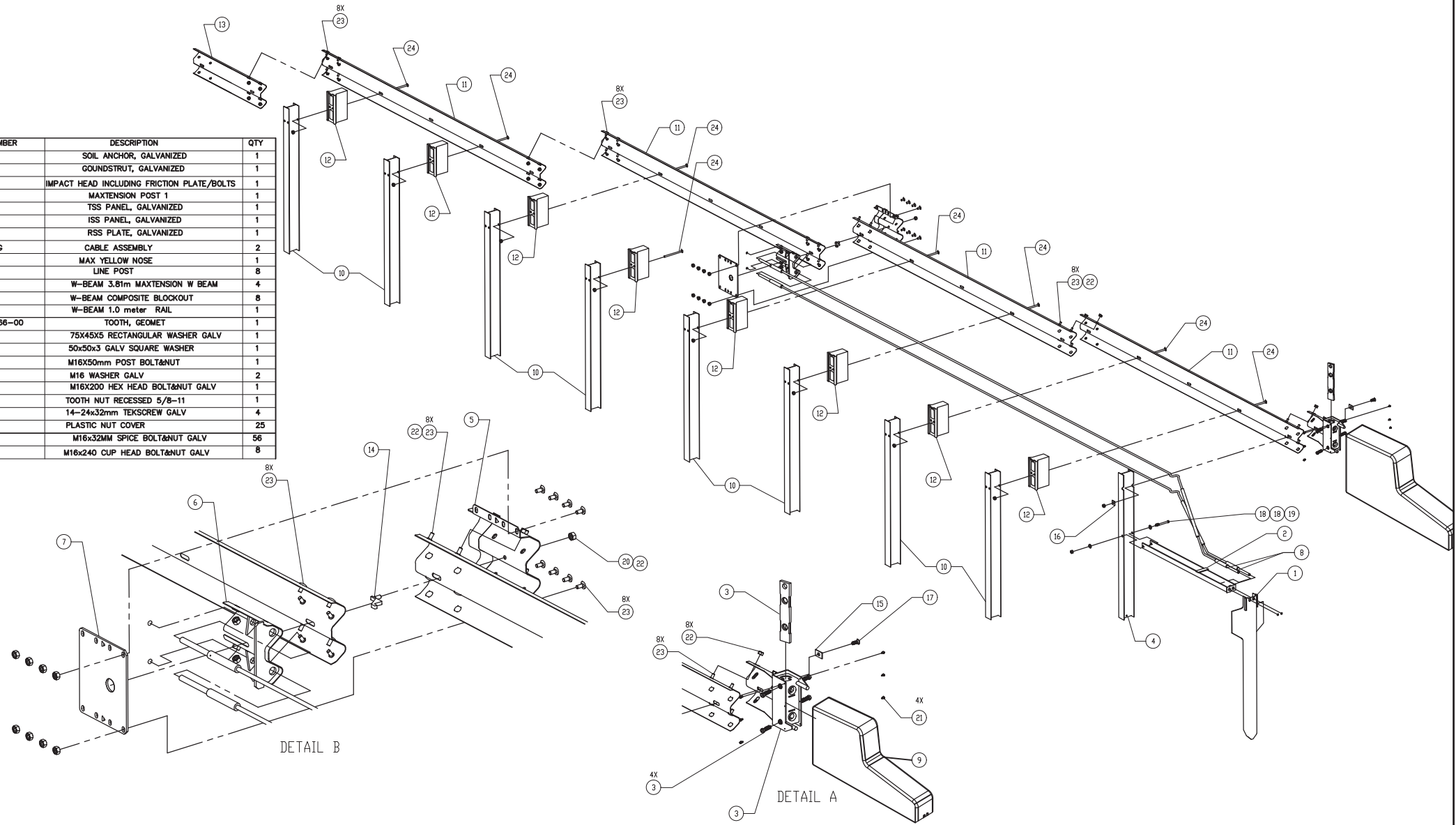


ITEM	PART NUMBER	DESCRIPTION	QTY
1	UTGAG	SOIL ANCHOR, GALVANIZED	1
2	UTGSG	GOUNDSTRUT, GALVANIZED	1
3	MAXHDG	IMPACT HEAD INCLUDING FRICTION PLATE/BOLTS	1
4	MAXP1G	MAXTENSION POST 1	1
5	MAXTSSG	TSS PANEL, GALVANIZED	1
6	MAXISSG	ISS PANEL, GALVANIZED	1
7	MAXRSSG	RSS PLATE, GALVANIZED	1
8	MAXTL3CAG	CABLE ASSEMBLY	2
9	MAXYN	MAX YELLOW NOSE	1
10	UTLPG	LINE POST	8
11	W122G	W-BEAM 3.61m MAXTENSION W BEAM	4
12	B090534	W-BEAM COMPOSITE BLOCKOUT	8
13	W113G	W-BEAM 1.0 meter RAIL	1
14	BSI-1610066-00	TOOTH, GEOMET	1
15	FW903	75X45X5 RECTANGULAR WASHER GALV	1
16	FW923	50x50x3 GALV SQUARE WASHER	1
17	F1012	M16X50mm POST BOLT&NUT	1
18	FW900	M16 WASHER GALV	2
19	F123	M16X200 HEX HEAD BOLT&NUT GALV	1
20	4001116	TOOTH NUT RECESSED 5/8-11	1
21	F174	14-24x32mm TEKSOREW GALV	4
22	X350NC	PLASTIC NUT COVER	25
23	F1002	M16x32MM SPICE BOLT&NUT GALV	56
24	F124	M16x240 CUP HEAD BOLT&NUT GALV	8



REV	DESCRIPTION	APPD	DATE
C	BOM REVISION	EA	19.06.20
B	BOM REVISION	EA	01.11.19
A	ORIGINAL ISSUE	EA	23.07.18


**ACP**  
 AUSTRALIAN CONSTRUCTION PRODUCTS  
 Australian Construction Products Pty Ltd  
 339 Horsley Road Milperra NSW 2214  
 P.O. Box 565 Panania NSW 2213  
 Tel: +61 2 9772 4172 Fax: +61 2 9792 6272

TOLERANCES
Whole Numbers ±2
One Decimal Place ±0.05
Bend Angle : ±2
Straightness : 1.5per1500
Scale: N.T.S.

CLIENT
MATERIAL STEEL TO AS/NZS 1594
FINISH PRETREATMENT TO AS 1627 HOT DIP GALVANISE TO AS/NZS 4680

ITEM MAX-TENSION TL-3 TANGENT SYSTEM DRAWING 1 OF 2		
DRAWING NUMBER		
DRAWN E.A.	CHECKED	APPROVED